

Fransgård

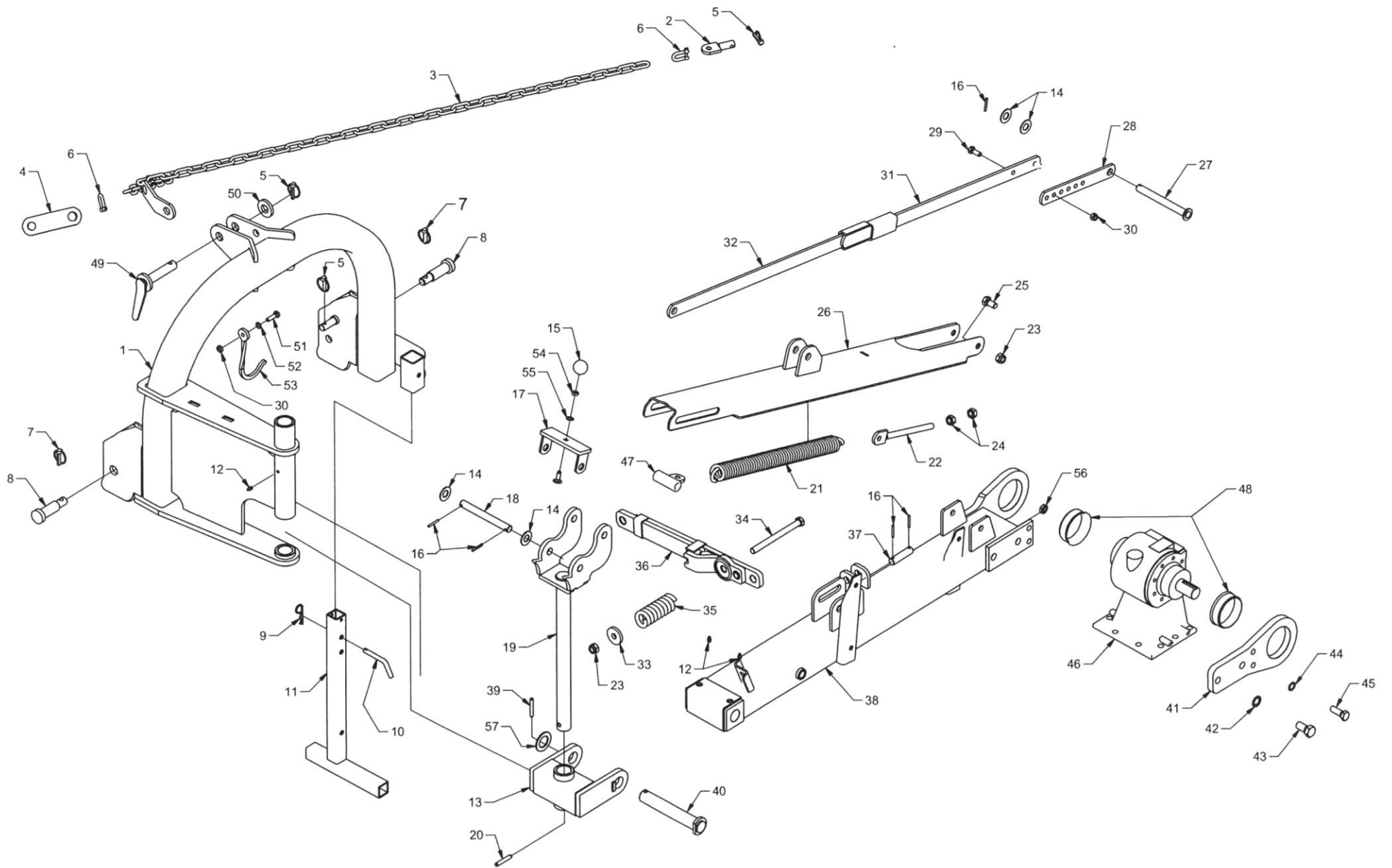
Reserve dele
Reservdeler
Spare parts
Ersatzteile
Pièces détachées
Varaosaluettelo



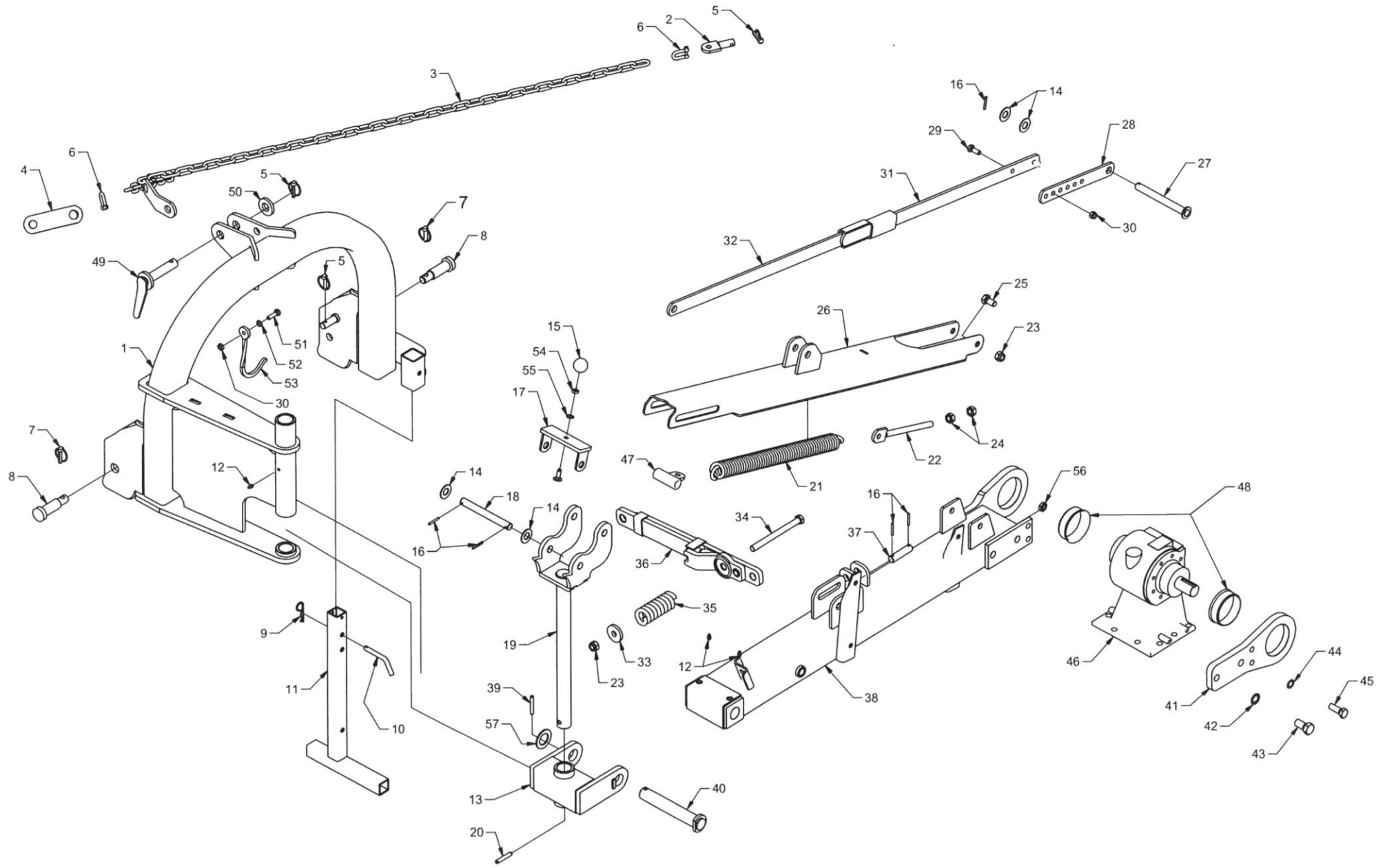
Skiveslåmaskine
Skiveslåmaskin
Disc mower
Kreisel Mäher
Faucheuse a disque
Lautasniittokoneet

DM-2450

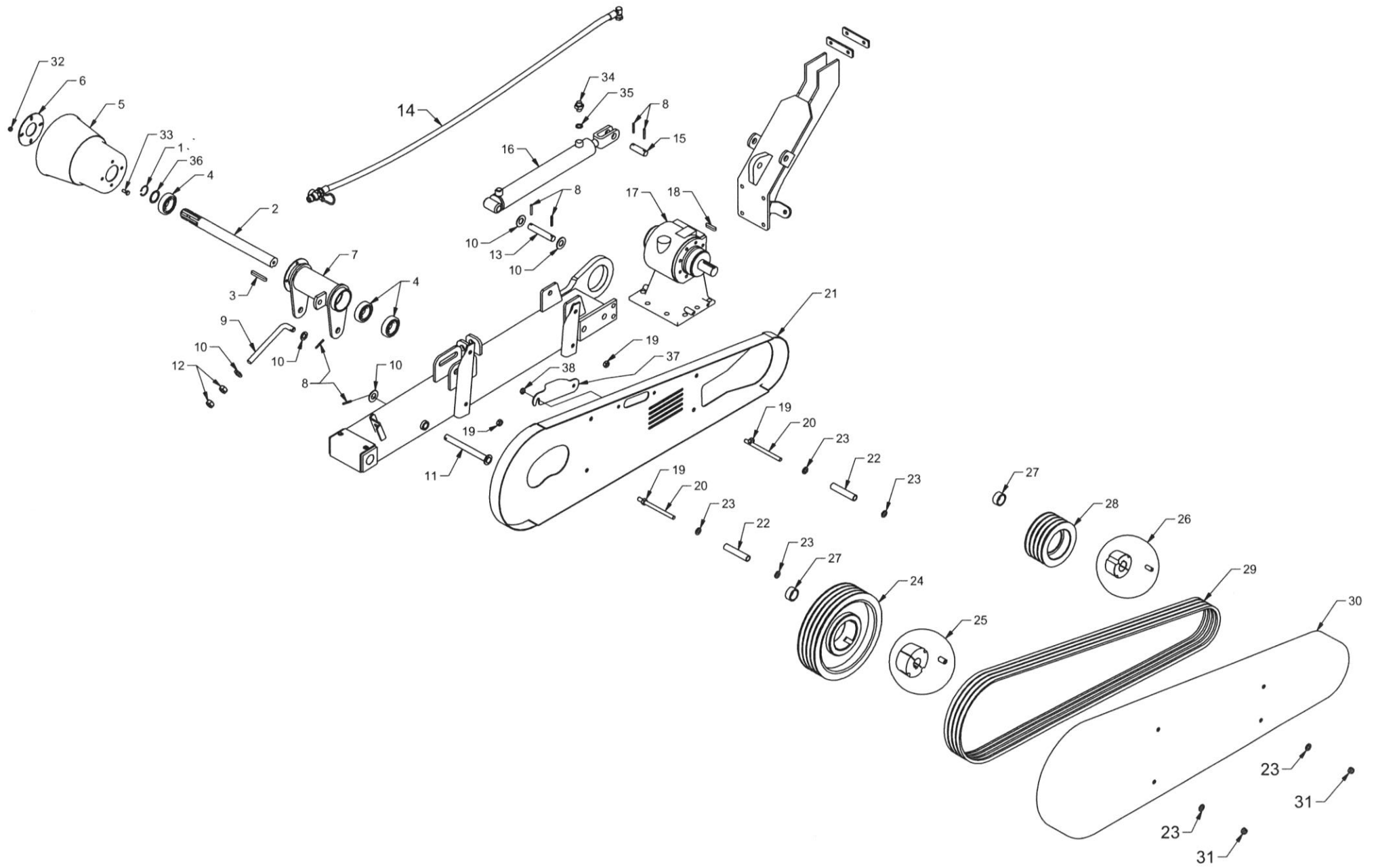
Serie nr. 57350006 →



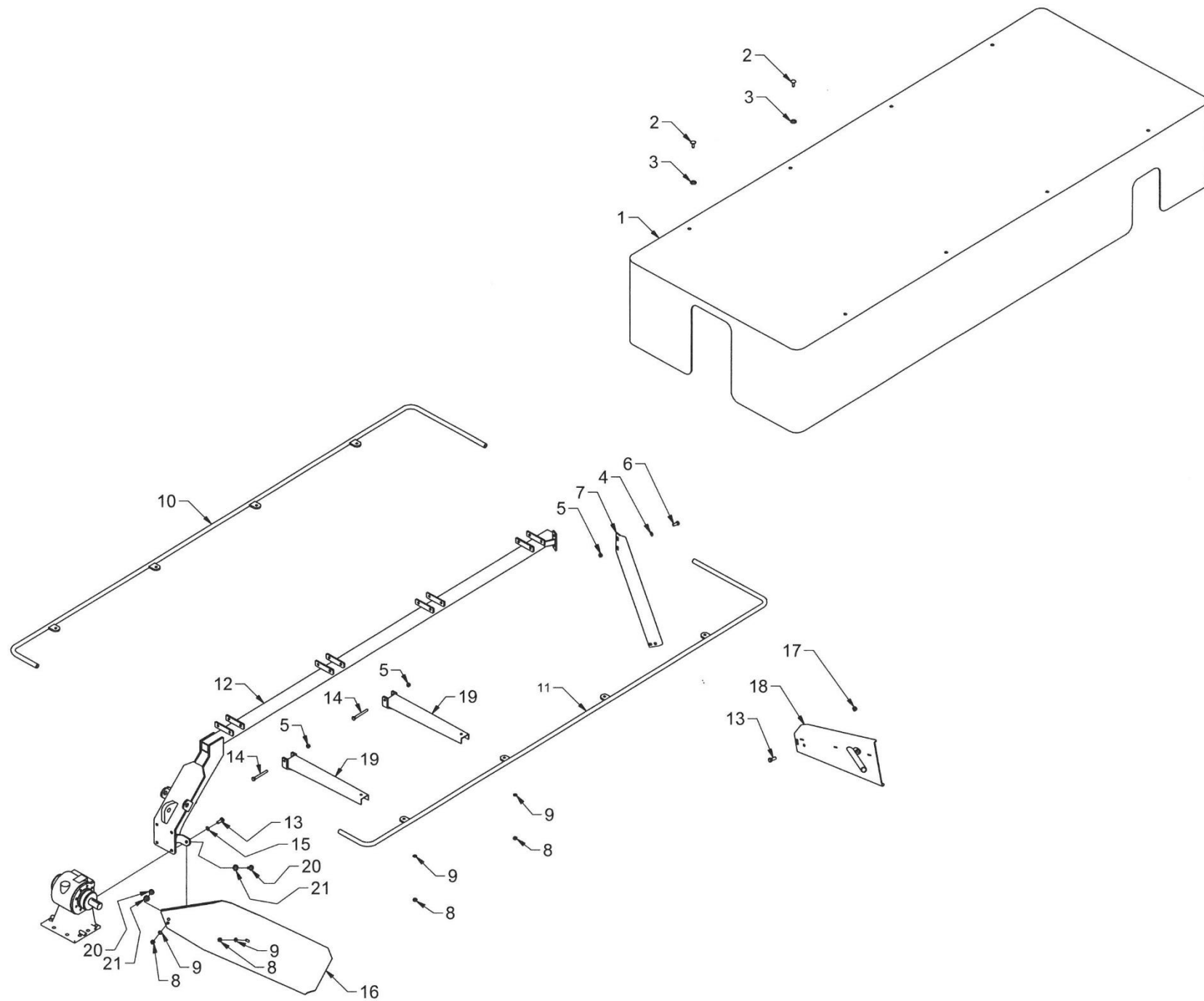
| Nr. No. Nr. No. | Vare nr. Part No. Teil Nr. No.de pièce | Quantity Anzahl Nombre | Antal Beskrivelse | Description | Bezeichnung | Désignation | Bemærkninger Remarks Bemerkungen Remarques |
|--------------------------|---|------------------------------|----------------------|-------------------|------------------------|-----------------------|---|
| 1 | 57405 | 1 | Trepunktsophæng | Three-point lift | Dreipunkt-Anbau | Attelage trois points | |
| 2 | 57002 | 1 | Bolt | Bolt | Bolzen | Boulon | |
| 3 | 57303 | 1 | Kæde | Chain | Kette | Chainette | |
| 4 | 57004 | 2 | Beslag | Fitting | Beschlag | Garniture | |
| 5 | 1210080 | 3 | Sikringssplit | Safety pin | Sicherungssplint | Goupille de surete | 8,0mm. |
| 6 | 57001 | 2 | Sjækkel | Assembly joint | Sammelglied | Jointure d'ajustage | 5/16" FZB |
| 7 | 1210100 | 2 | Sikringssplit | Safety pin | Sicherungssplint | Goupille de surete | 10mm. |
| 8 | 57307 | 2 | Træktap | Towning pin | Ziehzapfen | Broche de traction | |
| 9 | 1220035 | 1 | Hårnålesplit | Cotter | Splint | Goupille | 3,5mm. |
| 10 | 15558 | 1 | Bolt | Bolt | Bolzen | Boulon | |
| 11 | 57406 | 1 | Støtteben | Support | Stützbein | Stabilisateur | |
| 12 | 881500240 | 3 | Smørenippel | Lubricator nipple | Schmiernippel | Graisseur | M8x1,25mm. |
| 13 | 57007 | 1 | Forbindelsesramme | Connecting frame | Verbindungsrahmen | Chassis de liaison | |
| 14 | 740600045 | 4 | Skive Washer | Scheibe | Rondelle | | 42x21x2,0mm.FZB |
| 15 | 41452 | 1 | Håndtag | Handle | Hebel | Manche à pommeau | M10xø40mm. |
| 16 | 741190105 | 5 | Spændstift | Special pin | Spannstift | Goupille mecanindus | 5x40mm. |
| 17 | 57008 | 1 | Lås | Lock | Schloss | Serrure | |
| 18 | 57009 | 1 | Aksel | Shaft | Welle | Arbre | |
| 19 | 57316 | 1 | Ophængsgaffel | Suspension fork | Aufhängegabel | Fourche de suspension | |
| 20 | 741190295 | 1 | Spændstift | Special pin | Spannstift | Goupille mecanindus | 10x60mm. |
| 21 | 57011 | 1 | Trækfjeder | Tension spring | Zugfeder | Ressort de traction | |
| 22 | 57012 | 1 | Øjebolt | Eye bolt | Augenbolzen | Boulon à oeil | M12 FZB |
| 23 | 740420016 | 2 | Låsemøtrik | Lock nut | Gegenmutter | Ecrou de freinage | M16 FZB |
| 24 | 740390016 | 2 | Møtrik | Nut | Mutter | Ecrou | M16 FZB |
| 25 | 740210540 | 2 | Bolt | Bolt | Bolzen | Boulon | M16x30 FZB |
| 26 | 57315 | 1 | Aflaster | Unloading device | Entlastungsvorrichtung | Déchargeur | |
| 27 | 57014 | 1 | Aksel | Shaft | Welle | Arbre | |
| 28 | 57312 | 2 | Stabilisator | Stabilizer | Stabilisator | Stabilisateur | |
| 29 | 740210405 | 4 | Bolt | Bolt | Bolzen | Boulon | M12x30 FZB |
| 30 | 740420012 | 5 | Låsemøtrik | Lock nut | Gegenmutter | Ecrou de freinage | M12 |



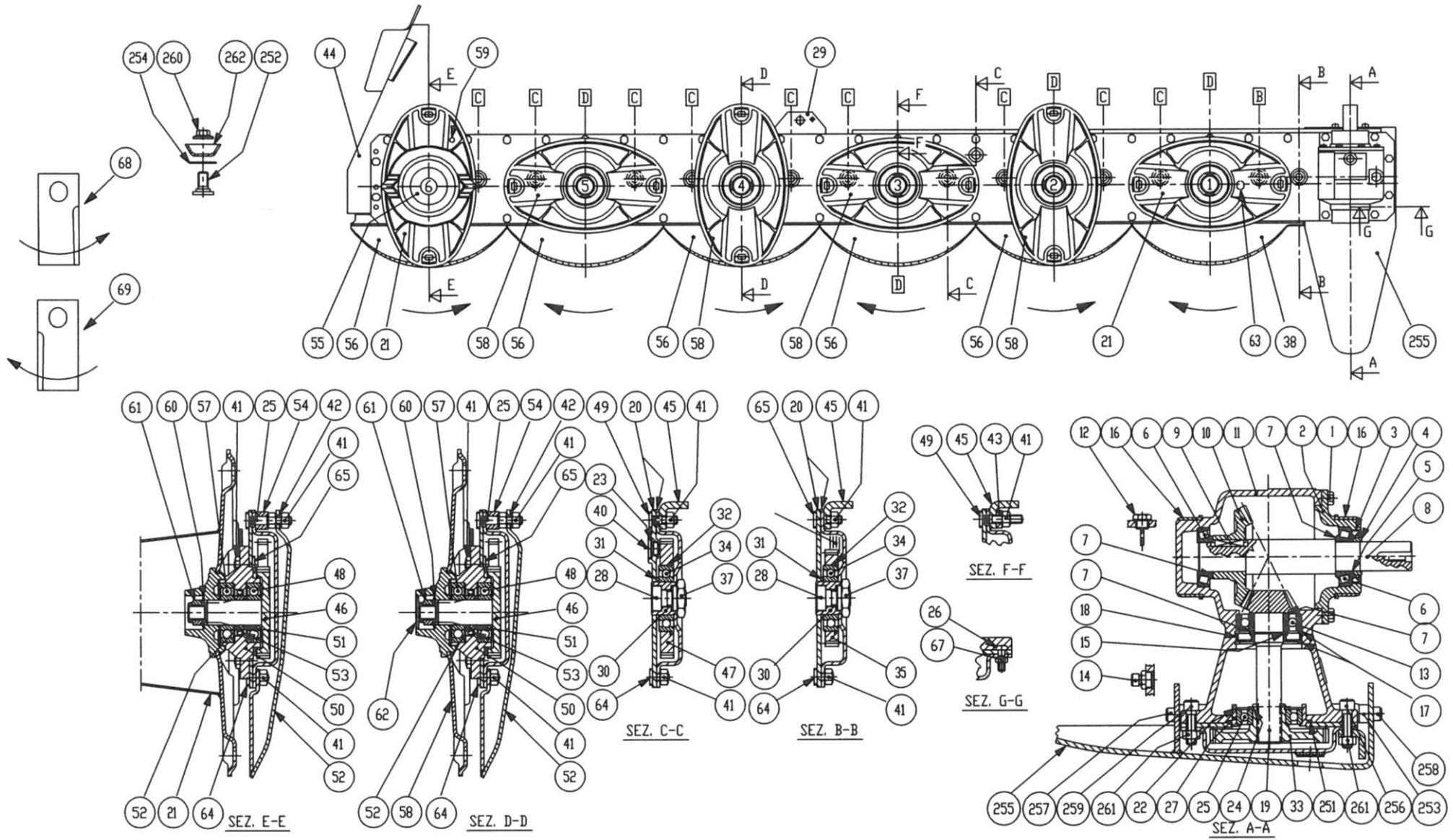
| Nr. No. Nr. No. | Vare nr. Part No. Teil Nr. No.de pièce | Antal Quantity Anzahl Nombre | Beskrivelse | Description | Bezeichnung | Désignation | Bemærkninger Remarks Bemerkung Remarques |
|--------------------------|---|---------------------------------------|--------------------|-----------------------|-------------------------|----------------------------|---|
| 31 | 57016 | 2 | Stabilisator | Stabilizer | Stabilisator | Stabilisateur | |
| 32 | 57017 | 2 | Stabilisator | Stabilizer | Stabilisator | Stabilisateur | |
| 33 | 57418 | 1 | Bøsning | Bush | Burchse | Douille | |
| 34 | 740211630 | 1 | Bolt | Bolt | Bolzen | Boulon | M16x190 |
| 35 | 315114513280 | 1 | Fjeder | Spring | Feder | Ressort | 11,2 mm |
| 36 | 57018 | 1 | Udløserbeslag | Release bracket | Auslöser Beschlag | Dèclencheur garniture | |
| 37 | 57019 | 1 | Aksel | Shaft | Welle | Arbre | |
| 38 | 57320 | 1 | Udliggerbom | Carrying frame | Ausleger | Barre porteuse | |
| 39 | 741190235 | 1 | Spændstift | Special pin | Spannstift | Goupille mecanindus | 8x60mm. |
| 40 | 57021 | 1 | Bolt | Bolt | Bolzen | Boulon | |
| 41 | 57022 | 1 | Lejeplade | Bearing plate | Lagerplatte | Plaque de roulement | |
| 42 | 740770050 | 2 | Tandskive | Sprocket | Zahnradscheibe | Rondelle dentees | 20,5mm.FZB |
| 43 | 740210650 | 2 | Bolt | Bolt | Bolzen | Boulon | M20x40 FZB |
| 44 | 740770040 | 2 | Tandskive | Sprocket | Zahnradscheibe | Rondelle dentees | 16,5mm.FZB |
| 45 | 740210555 | 2 | Bolt | Bolt | Bolzen | Boulon | M16x45 FZB |
| 46 | 57024 | 1 | Vinkelgear komplet | Angular gear Complete | Winkelgetriebe Komplett | Vitesse angulaire complete | |
| 47 | 57116 | 1 | Beslag | Fitting | Beschlag | Garniture | |
| 48 | 57062 | 2 | Bøsning | Bush | Burchse | Douille | |
| 49 | 25413 | 1 | Bolt | Bolt | Bolzen | Boulon | |
| 50 | 522508 | 1 | Skive | Washer | Scheibe | Rondelle | 52x25x8mm FZB |
| 51 | 740210320 | 1 | Bolt | Bolt | Bolzen | Boulon | M12x35 FZB |
| 52 | 740750030 | 1 | Fjederskive | Spring washer | Federscheibe | Rondelle | 10,2 mm. |
| 53 | 47121 | 1 | PTO beslag | PTO fitting | PTO Beschlag | PTO Garniture | |
| 54 | 740390010 | 1 | Møtrik | Nut | Mutter | Ecrou | M10 FZB |
| 55 | 740600030 | 1 | Skive | Washer | Scheibe | Rondelle | 11x22x2mm.FZB |
| 56 | 740550100 | 2 | Kontramøtrik | Nut | Mutter | Ecrou | M16 FZB |
| 57 | 356040 | 1 | Skive | Washer | Scheibe | Rondelle | 35x60x4mm FZB |



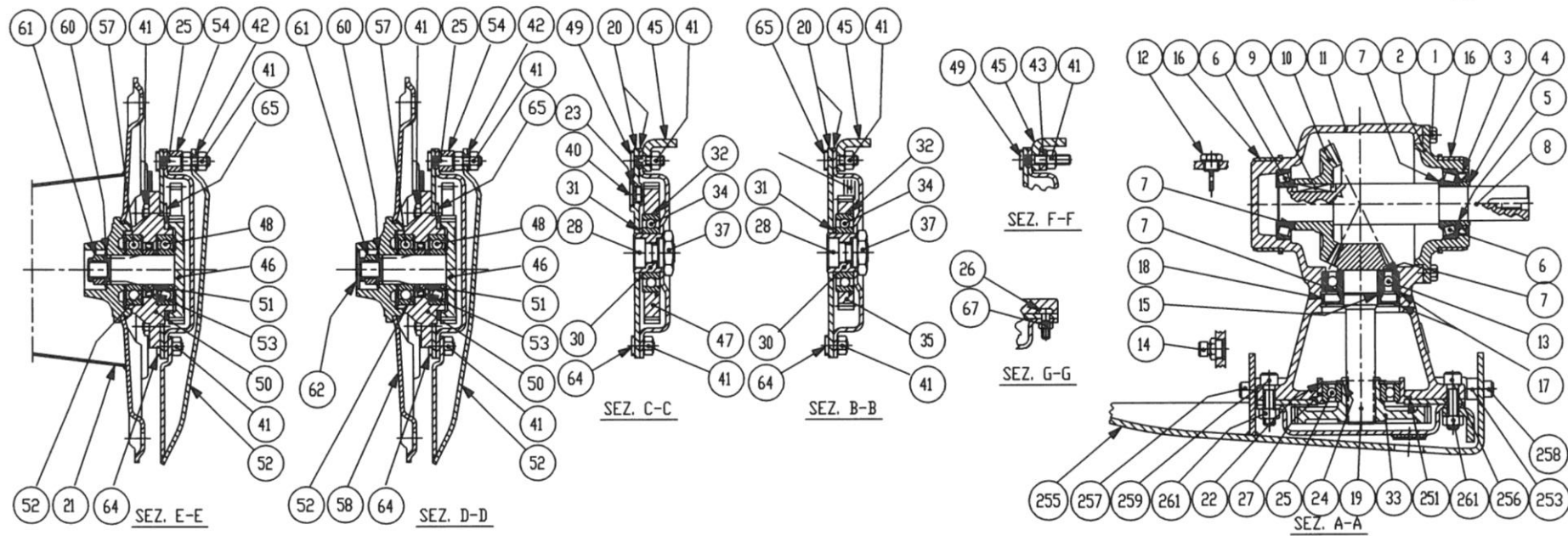
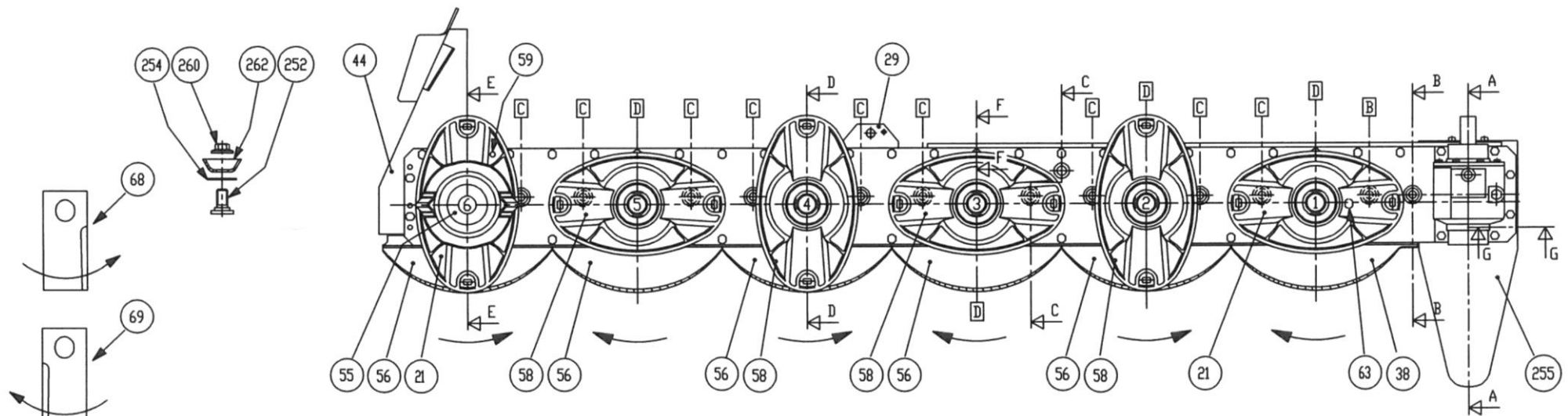
| Nr. No. Nr. No. | Vare nr. Part No. Teil Nr. No.de pièce | Antal Quantity Anzahl Nombre | Beskrivelse | Description | Bezeichnung | Désignation | Bemærkninger Remarks Bemerkung Remarques |
|--------------------------|---|---------------------------------------|--------------------|-----------------------|-------------------------|----------------------------|---|
| 1 | 741140035 | 1 | Låsering | Lock ring | Schließring | Jonc d'arrêt | U. 35 mm, 2,5 mm |
| 2 | 57170 | 1 | Aksel | Shaft | Welle | Arbre | |
| 3 | 61106 | 1 | Pasfeder | Flat key | Federkeil | Clavette | A8x10x50mm. |
| 4 | 1162072 | 3 | Kugleleje | Ball bearing | Kugellager | Roulement à billes | 6207 2RS |
| 5 | 1418410 | 1 | PTO.skærm | PTO.cover | PTO.Deckel | PTO.coverture | |
| 6 | 42446 | 1 | Beslag | Fitting | Beschlag | Garniture | |
| 7 | 57027 | 1 | PTO.beslag | PTO.Bracket | PTO.Beschlag | PTO.Garniture | |
| 8 | 741180220 | 6 | Split | Pin | Splint | Goupille | 5x32mm |
| 9 | 57028 | 1 | Strammebolt | Tightening bolt | Spannbolzen | Boulon de tendeur | |
| 10 | 740600045 | 5 | Skive | Washer | Scheibe | Rondelle | 42x21x2,0mm.FZB |
| 11 | 57029 | 1 | Aksel | Shaft | Welle | Arbre | |
| 12 | 740390016 | 2 | Møtrik | Nut | Mutter | Ecrou | M16 FZB |
| 13 | 57030 | 1 | Aksel | Shaft | Welle | Arbre | |
| 14 | 42417 | 1 | Hydraulikslange | Hydraulic hose | Hydraulikschlauch | Tuyau hydraulique | 2750 mm. |
| 15 | 57032 | 1 | Aksel | Shaft | Welle | Arbre | |
| 16 | 57033 | 1 | Hydraulikcylinder | Hydraulic cylinder | Hydraulikzylinder | Cylindre de hydraulique | |
| 17 | 57024 | 1 | Vinkelgear komplet | Angular gear Complete | Winkelgetriebe Komplett | Vitesse angulaire complete | |
| 18 | 57034 | 1 | Pasfeder | Flat key | Federkeil | Clavette | A8x10x45mm. |
| 19 | 740390012 | 8 | Møtrik | Nut | Mutter | Ecrou | M12 FZB |
| 20 | 57035 | 4 | Bolt | Bolt | Bolzen | Boulon | M12 |
| 21 | 57036 | 1 | Skærm | Guard | Schutz | Protection | |
| 22 | 57038 | 4 | Afstandsør | Spacing piece | Abstandsrohr | Entretoise | |
| 23 | 740600032 | 12 | Skive | Washer | Scheibe | Rondelle | 30x13x2,0mm.FZB |
| 24 | 57039 | 1 | Kilremskive | Pulley | Keilriemenscheibe | Poulie | |
| 25 | 46123 | 1 | Bøsning | Bush | Burchse | Douille | TB 3020-ø35mm. |
| 26 | 57139 | 1 | Bøsning | Bush | Burchse | Douille | TB 2517-ø35mm. |
| 27 | 10524 | 2 | Bøsning | Bush | Burchse | Douille | 20mm. |
| 28 | 57040 | 1 | Kilremskive | Pulley | Keilriemenscheibe | Poulie | |
| 29 | 57041 | 4 | Kilerem | V-belt | Keilriemen | Courroie | SPB 2800 |
| 30 | 57442 | 1 | Skærm | Guard | Schutz | Protection | |
| 31 | 740420012 | 4 | Låsemøtrik | Lock nut | Gegenmutter | Ecrou de freinage | M12 FZB |
| 32 | 740420008 | 4 | Låsemøtrik | Lock nut | Gegenmutter | Ecrou de freinage | M8 |
| 33 | 740210185 | 4 | Bolt | Bolt | Bolzen | Boulon | M8x20 FZB |
| 34 | 57119 | 1 | Brystnippel | Hexagon nipple | Brustnippel | Mamelon | 3/8"xø1mm. |
| 35 | 42418 | 1 | Kobberskive | Copper washer | Kupferscheibe | Rondelles cuivre | 3/8" |
| 36 | 354510 | 1 | Skive | Washer | Scheibe | Rondelle | 35x45x1,0 mm |
| 37 | 46148 | 1 | Skærm | Guard | Schutz | Protection | |
| 38 | 740420011 | 2 | Flangelåsemøtrik | Lock nut | Gegenmutter | Ecrou de freinage | M10 FZB |



| Nr. No. Nr. No. | Vare nr. Part No. Teil Nr. No.de pièce | Antal Quantity Anzahl Nombre | Beskrivelse | Description | Bezeichnung | Désignation | Bemærkninger Remarks Bemerkung Remarques |
|------------------------------------|---|---|--------------------|----------------------|--------------------|--------------------|---|
| 1 | 57370 | 1 | Dug sort | Canvas Black | Nylon Plane Swarz | Toile noir | |
| 2 | 740150230 | 8 | Bræddebolt | Coach bolt | Brettenschraube | Boulon a tete rone | M10x25 FZB |
| 3 | 740600032 | 8 | Skive | Washer | Scheibe | Rondelle | 30x13x2,0mm.FZB |
| 4 | 740600030 | 4 | Skive | Washer | Scheibe | Rondelle | 22x11x2,0mm.FZB |
| 5 | 740420010 | 12 | Låsemøtrik | Lock nut | Gegenmutter | Ecrou de freinage | M10 FZB |
| 6 | 740210310 | 4 | Sætskrue | Bolt | Bolzen | Boulon | M10x25 FZB |
| 7 | 57171 | 1 | Beslag | Fitting | Beschlag | Garniture | |
| 8 | 740390010 | 10 | Møtrik | Nut | Mutter | Ecrou | M10 6KT FZB |
| 9 | 740770025 | 10 | Tandskive | Sprocket | Zahnradscheibe | Rondelle dentees | 10,5mm.FZB |
| 10 | 57347 | 1 | Bøjle,forreste | Hoop,front | Bügel,vord | Etrier,avant | |
| 11 | 57346 | 1 | Bøjle,bagerste | Hoop,rear | Bügel,hintere | Etrier,arrière | |
| 12 | 57372 | 1 | Udligger | Carrying frame | Ausleger | Barre porteuse | |
| 13 | 740210405 | 6 | Bolt | Bolt | Bolzen | Boulon | M12x30 FZB |
| 14 | 740211370 | 8 | Bolt | Bolt | Bolzen | Boulon | M10x95 FZB |
| 15 | 740770030 | 6 | Tandskive | Sprocket | Zahnradscheibe | Rondelle dentees | 12,5mm.FZB |
| 16 | 57112 | 1 | Skårsamler,venstre | Swathdeflector,left | Schwadreden,links | Deflecteur,gauche | |
| 17 | 740420012 | 2 | Låsemøtrik | Lock nut | Gegenmutter | Ecrou de freinage | M12 FZB |
| 18 | 57113 | 1 | Skårsamler,Højre | Swathdeflector,right | Schwadreden,rechts | Deflecteur,droite | |
| 19 | 57114 | 8 | Beslag | Fitting | Beschlag | Garniture | |
| 20 | 740150230 | 2 | Bræddebolt | Coach bolt | Brettenschraube | Boulon a tete rone | M10x30 FZB |
| 21 | 740600038 | 2 | Skive | Washer | Scheibe | Rondelle | 14x30x2,0mm.FZB |



| Nr. No. Nr. No. | Vare nr. Part No. Teil Nr. No.de pièce | Antal Quantity Anzahl Nombre | Beskrivelse | Description | Bezeichnung | Désignation | Bemærkninger Remarks Bemerkung Remarques |
|--------------------------|---|---------------------------------------|-----------------|-------------------|----------------------|-----------------------------------|---|
| 1 | 57049 | 8 | Bolt | Bolt | Bolzen | Boulon | M10x22 FZB |
| 2 | 57050 | 1 | Dæksel | Cover | Deckel | Couvercle | |
| 3 | 57051 | 1 | Pakdåse | Seal box | Stopfbuchse | Presse étoupe | 45x65x10mm |
| 4 | 57052 | 1 | Bøsning | Bush | Buchse | Douille | |
| 5 | 57053 | 1 | O-ring | O-ring | O-ring | O-anneau | 34,59x2,62mm. |
| 6 | 1130207 | 2 | Kugleleje | Ball bearing | Kugellager | Roulement à billes | 30207 |
| 7 | 57055 | 3 | Skive | Washer | Scheibe | Rondelle | |
| 8 | 57056 | 1 | Aksel | Shaft | Welle | Arbre | |
| 9 | 57057 | 1 | Pasfeder | Flat key | Pabfeder | Clavette | 10x8x35mm. |
| 10 | 57058 | 1 | Kronhjul | Crown wheel | Kronrad | Couronne dentee | |
| 11 | 57059 | 1 | Gearhus | Gearcase | Getriebegehäuse | Boite de vitesses | |
| 12 | 57060 | 1 | Prop | Plug | Stopsel | Bouchon | 3/8" |
| 13 | 1163070 | 1 | Kugleleje | Ball bearing | Kugellager | Roulement à billes | 6307 |
| 14 | 57061 | 1 | Prop | Plug | Stopsel | Bouchon | 3/8" |
| 15 | 57064 | 1 | Pakdåse | Seal box | Stopfbuchse | Presse étoupe | 35x80x10mm. |
| 16 | 57062 | 2 | Bøsning | Bush | Buchse | Douille | |
| 17 | 57063 | 2 | Låsering | Lock ring | Schliebring | Jonc d'arret | 80mm. |
| 18 | 741141035 | 1 | Låsering | Lock ring | Schliebring | Jonc d'arret | 35mm. Udv. |
| 19 | 57065 | 1 | Notaksel | Spline axle | Nutenwelle | Arbre cannele | |
| 20 | 57143 | 1 | Gearkasse | Gearcase | Getriebegehäuse | Boite de vitesses | |
| 21 | 57122 | 2 | Skive med hat | Disc w. hat | Aussenscheibe m. Top | Disque avec chapeau f. 4mm knives | |
| 22 | 57063 | 1 | Låsering | Lock ring | Schliebring | Jonc d'arret | 80mm. |
| 23 | 57138 | 3 | Pakring | Seal box | Stopfbuchse | Presse étoupe | 17x22x1,5mm. |
| 24 | 741141040 | 1 | Låsering | Lock ring | Schliebring | Jonc d'arret | 40mm. |
| 25 | 1162080 | 1 | Kugleleje | Ball bearing | Kugellager | Roulement à billes | 6208 |
| 26 | 57068 | 4 | Bolt | Bolt | Bolzen | Boulon | M8x25 FZB |
| 27 | 57069 | 1 | Bøsning | Bush | Buchse | Douille | |
| 28 | 57070 | 15 | Bolt | Bolt | Bolzen | Boulon | M20x30 FZB |
| 29 | 57071 | 1 | Transportbeslag | Transport fitting | Transport Beschlag | Garniture de transport | |
| 30 | 57128 | 15 | Bøsning | Bush | Buchse | Douille | |
| 31 | 57073 | 15 | Afstandsplade | Spacer | Abstands Plate | Entretoise | |
| 32 | 57125 | 15 | Låsering | Lock ring | Schliebring | Jonc d'arret | 80mm. |
| 33 | 57123 | 1 | Tandhjul | Sprocket wheel | Zahnrad | Pignon à chaîne | Z 45 M3 |
| 34 | 11620803 | 15 | Kugleleje | Ball bearing | Kugellager | Roulement à billes | 6208 N / C3 |
| 35 | 57127 | 5 | Tandhjul | Sprocket wheel | Zahnrad | Pignon à chaîne | Z 36 M3 |
| 37 | 57126 | 15 | Møtrik | Nut | Mutter | Ecrou | M20x10,2x1,1 |
| 38 | 57079 | 1 | Stenbeskytter | Stone protection | Steinschutz | Protection de pierre | |
| 39 | 57080 | 2 | Stift | Pin | Stift | Goupille | 10x12mm. |



| Nr. No. Nr. No. | Vare nr. Part No. Teil Nr. No.de pièce | Antal Quantity Anzahl Nombre | Beskrivelse | Description | Bezeichnung | Désignation | Bemærkninger Remarks Bemerkung Remarques |
|--------------------------|---|---------------------------------------|---------------------|---------------------|-------------------------|-----------------------|---|
| 40 | 57115 | 2 | Prop | Plug | Stopsel | Bouchon | 3/8" |
| 41 | 740420010 | 119 | Låsemøtrik | Lock nut | Gegenmutter | Ecrou de freinage | M10 |
| 42 | 57081 | 7 | Passkive | Washer | Passscheibe | Rondelle | 10 mm |
| 43 | 57082 | 4 | Afstandsplade | Spacer | Abstands Plate | Entretoise | |
| 44 | 57120 | 1 | Ankerplade | Anchor plate | Ankerplatte | Contreplaque | |
| 45 | 57145 | 1 | Forstærkning,bag | Geinforcement,rear | Verstärkerung,hintere | Renfort arrière | |
| 46 | 57132 | 7 | Tandhjul | Sprocket wheel | Zahnrad | Pignon à chaîne | Z 34 M3 |
| 47 | 57135 | 10 | Tandhjul | Sprocket wheel | Zahnrad | Pignon à chaîne | Z 45 M3 |
| 48 | 11630624 | 7 | Kugleleje | Ball bearing | Kugellager | Roulement à billes | 6306 2Z / C3 KBC |
| 49 | 57087 | 7 | Bolt | Bolt | Bolzen | Boulon | M10x52 FZB |
| 50 | 57133 | 7 | Lejehus | Bearing housing | Lagergehäuse | Boîte de roulement | |
| 51 | 57089 | 7 | O-ring | O-ring | O-ring | O-anneau | |
| 52 | 57131 | 7 | Bøsning | Bush | Buchse | Douille | |
| 53 | 57091 | 7 | Pakdåse | Seal box | Stopfbuchse | Presse étoupe | 40x56x8mm. |
| 54 | 57092 | 3 | Afstandsplade | Spacer | Abstands Plate | Entretoise | |
| 55 | 57093 | 1 | Beskyttelsehætte | Protection hood | Schutzkappe | Capuchon protecteur | |
| 56 | 57094 | 6 | Stenbeskytter | Stone protection | Steinschutz | Protection de pierre | |
| 57 | 11630623 | 7 | Kugleleje | Ball bearing | Kugellager | Roulement à billes | 6306 2RS / C3 KBC |
| 58 | 57121 | 4 | Skive | Disc | Scheibe | Disque | |
| 59 | 741190272 | 2 | Spændstift | Special Pin | Spannstift | Goupille mechanindus | 10x12mm. |
| 60 | 57130 | 7 | Skive | Disc | Scheibe | Disque | 20x1,5x17,3mm. |
| 61 | 57129 | 7 | Låsemøtrik | Lock nut | Gegenmutter | Ecrou de freinage | M20X1,5H17,3 |
| 62 | 57134 | 6 | Beskyttelsehætte | Protection hood | Schutzkappe | Capuchon protecteur | 42x7mm. |
| 63 | 57098 | 2 | Bolt | Bolt | Bolzen | Boulon | |
| 64 | 57099 | 31 | Bolt | Bolt | Bolzen | Boulon | M10x19 FZB |
| 65 | 57101 | 71 | Bolt | Bolt | Bolzen | Boulon | M10x30 FZB |
| 67 | 740420008 | 4 | Låsemøtrik | Lock nut | Gegenmutter | Ecrou de freinage | M8 |
| 68 | 57142L | 6 | Venstre profilkniv | Leftt profile knife | Links profilmesser | à gauche lame profile | 4mm. |
| 69 | 57142R | 6 | Højre profilkniv | Right profile knife | Rechts profilmesser | Droit lame profil | 4mm. |
| 251 | 57102 | 1 | O-ring | O-ring | O-ring | O-anneau | |
| 252 | 57137 | 12 | Knivbolt | Bolt for knife | Messerbolzen | Boulon pour lame | |
| 253 | 57104 | 2 | Bøsning | Bush | Buchse | Douille | |
| 254 | 57105 | 12 | Skive for knivbolt | Disc for knife | Scheibe für Messer | Disque pour lame | |
| 255 | 57106 | 1 | Slæbesko | Guide shoe | Schleifschuh | Patin | |
| 256 | 57107 | 3 | Bolt | Bolt | Bolzen | Boulon | M12x45 12,9 |
| 257 | 57108 | 2 | Bolt | Bolt | Bolzen | Boulon | M10x22 12,9 |
| 258 | 57109 | 2 | Bolt | Bolt | Bolzen | Boulon | M10x35 12,9 |
| 259 | 57110 | 5 | Bolt | Bolt | Bolzen | Boulon | M12x40 12,9 |
| 260 | 57111 | 12 | Møtrik for knivbolt | Nut for knifebolt | Mutter für Messerbolzen | Ecrou pour lameboulon | M12 |
| 261 | 740420012 | 8 | Låsemøtrik | Lock nut | Gegenmutter | Ecrou de freinage | M12 FZB |
| 262 | 57136 | 12 | Sikringsskive | Protection disc | Schutz scheibe | Disqueprotecteur | |

